

LOW VOLTAGE CABINET LOCK

Locking kitchen cabinets to keep children safe or securing office drawers with confidential documents has never been as easy or effective as it is with YNOTLOC YC10. The YC10 mounts inside cabinetry so is completely hidden from view yet it is simple to control and operates instantly when requested to give the ultimate balance in convenient locking.

Plug and Play Connection

- Locks and connecting wires plug together which ensures fool proof connection.
- Daisy chaining operation simplifies the wiring.

Concealed Security

- All the locks components are hidden inside the cabinetry ensuring a clean look as well as offering a further level of security.

Small Physical Size

- 76mmL x 30mmW x 30mmD.

Easy Installation

- Patent installation aid ensures the lock and strike align perfectly.
- A screwdriver is required to fit the locks and strikes and the wiring is a press connection.

Complete Safety

- A fail secure lock to guarantee cabinets are always left secured when the door or drawer is closed.

Convenient Control

- Single or multiple locks can be control at one time.
- Multiple unlocking methods can be used to control the locks.

Purchasing Options

- Pre-made packs offer a one box solution.
- Grow your system by adding more packs.
- Individual components offered separately.

Approvals

- Cycle tested to 1000000 operations.
- Various worldwide patents granted.



PRODUCT SPECIFICATIONS

Readymade packs or individual components are available to suit any installation from DIY to commercial. A patented installation aid ensures fitting the lock is a quick and easy process and wiring couldn't be easier with 'plug and play' connections. Robust materials and considered design ensures the locks will meet the demands of most installations.

YC10 SPECIFICATIONS

Fail Safe Lock and Strike (YNL502)

2 Lock Starter Pack (YNL502A)

4 Lock Pack (YNL502B)

Magnet wand (YNL503)

Jumper wire (YNL504)

Sensor (YNL505)

Transformer (YNL507)

Bolt Pin

Steel, \varnothing 8mm, 6.5mm stroke

Holding Force

615N (63Kg)

Voltage at Lock

12VDC +/-10%

Current Usage

Locked: nil

Unlocked: 250mA@12V

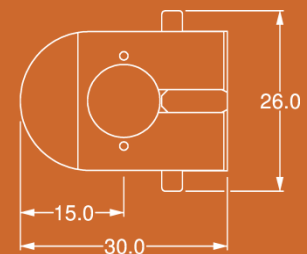
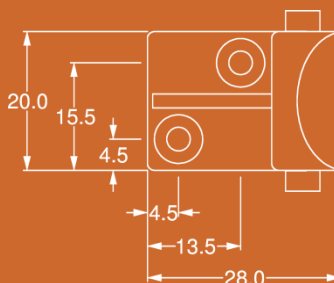
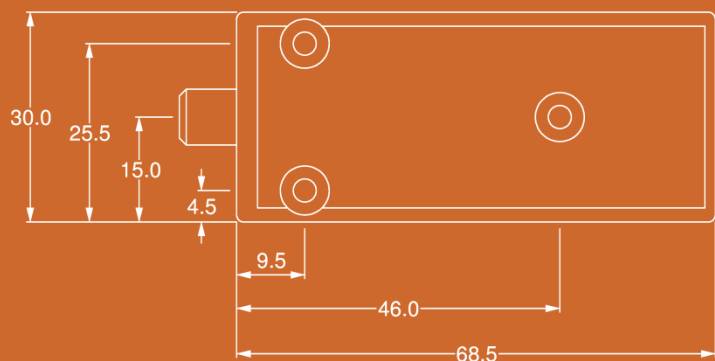
Materials

Plastics: ABS

Approvals

Various worldwide patents

Cycle tested to 1000000 operations



LOCKING DIVISION:

BQT Solutions (SEA) Pte Ltd
Mediapolis
71 Ayer Rajah Crescent #03-03
Singapore 139951
Phone: +65 62207970

BQT Solutions (NZ) Ltd
Unit E, 8 Piermark Drive
Albany, Auckland 0632
New Zealand
Phone: +64 94473145

ENQUIRIES:

Australia & Pacific: E: sales@bqtsolutions.com P: +61 2 8817 2800
New Zealand: E: salesnz@bqtsolutions.com P: +64 9447 3145
EMEA Region: E: salesuk@bqtsolutions.com P: +44 17 3773 5071
Americas: E: salesamerica@bqtsolutions.com P: +1 443 286 1020
Greater Asia: E: salesasia@bqtsolutions.com P: +65 6220 7970

DEALER DETAILS: